

REV.
C

AS3078

RATIONALE

CORRECT WEIGHT VALUES AND UPDATE STANDARD.

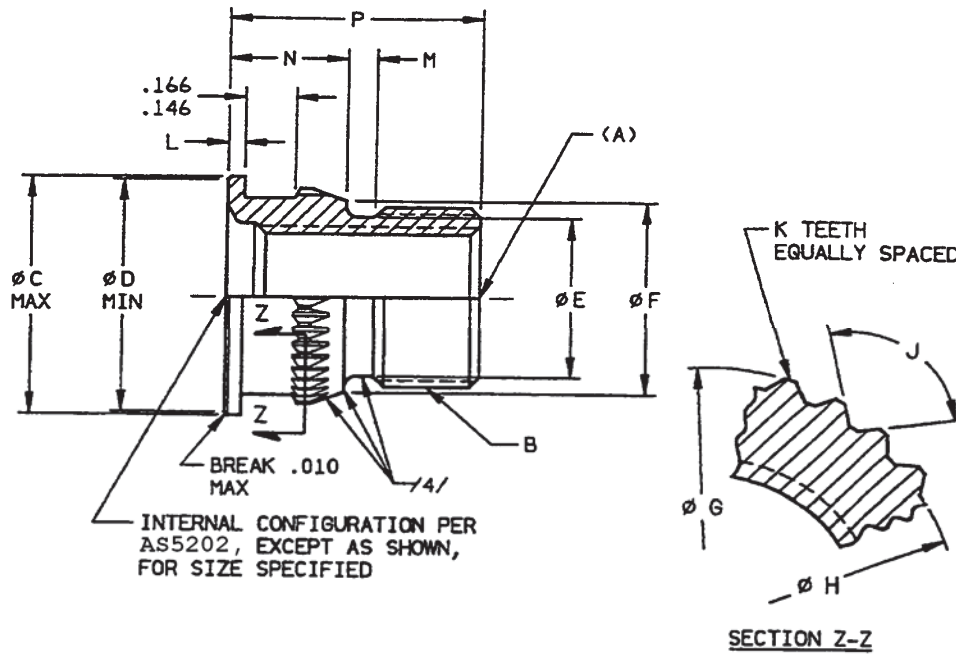


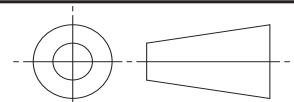
FIGURE 1 - INSERT

TABLE 1A - DIMENSIONS

BASIC NO. AS3078 /16/ SIZE CODE	A THREAD -3B AS8879	B THREAD -3A AS8879	C	D	E +.005/- .002	F ±.003	G +.005/- .004	H +.005/- .004
02	.3125-24UNJF	.4375-28UNJEF	.622	.602	.375	.469	.544	.502
03	.3750-24UNJF	.5000-28UNJEF	.685	.665	.440	.536	.611	.569
04	.4375-20UNJF	.5625-24UNJEF	.748	.728	.503	.599	.672	.632
05	.5000-20UNJF	.6250-24UNJEF	.810	.790	.566	.662	.737	.695
06	.5625-18UNJF	.6875-24UNJEF	.867	.852	.628	.724	.801	.758
08	.7500-16UNJF	.9375-20UNJEF	1.060	1.040	.858	.954	1.029	.988
10	.8750-14UNJF	1.0625-18UNJEF	1.185	1.165	.983	1.079	1.172	1.122
12	1.0625-12UNJ	1.2500-18UNJEF	1.435	1.415	1.171	1.267	1.362	1.310
16	1.3125-12UNJ	1.5000-18UNJEF	1.685	1.665	1.421	1.517	1.612	1.560
20	1.6250-12UNJ	1.8750-16UNJ	2.020	1.978	1.760	1.918	2.012	1.961

SAE values your input. To provide feedback on this Technical Report, please visit <http://www.sae.org/technical/standards/AS3078C>

THIRD ANGLE PROJECTION



CUSTODIAN: SAE G-3/G-3B /8/

PROCUREMENT SPECIFICATION: NONE



AEROSPACE STANDARD

FITTING, INSERT, FLUID CONNECTION,
AS5202 BOSS TO RING LOCKED BOSS

AS3078
SHEET 1 OF 3

REV.
C

SAE Technical Standards Board Rules provide that: "This report is published by SAE to advance the state of technical and engineering sciences. The use of this report is entirely voluntary, and its applicability and suitability for any particular use, including any patent infringement arising therefrom, is the sole responsibility of the user." SAE reviews each technical report at least every five years at which time it may be revised, reaffirmed, stabilized, or cancelled. SAE invites your written comments and suggestions.